

JISLON® Pole Cone LUMI

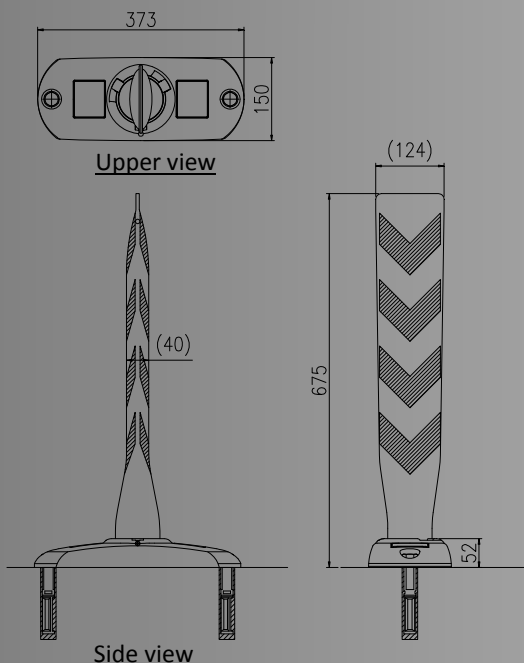
Combined with our technology of Solar Energy Powered Self-Luminous Road Stud, *JISLON* newly proposes this unique idea “flexible bollard with self-luminous function” for safety precaution.

Characteristic

- **Easy to bend and quick to rebound**
Although the solar unit is inside, the bollard still bends easily and rebounds after being driven over.
- **High visibility**
High visibility LEDs and reflective sheet help ensure safe driving at night.
- **Quick & easy installation**
Quick & easy system saves the installation & maintenance cost.



Specifications



Item		Specifications
Pole Cone		
Body	Material	Polyurethane
	Colour	Orange
Reflective sheet	Type	Flexible prismatic reflective sheet
Solar Unit		
Solar module	Type	Silicone crystalline
	Peak power	0.23W x 2
	Suitable voltage	3.7V
	Suitable current	122mA
Battery	Type	Nickel-Metal Hydride Battery
	Nominal voltage	2.4V
	Nominal capacity	1000mA
LEDs	Type	High intensity light emitting diode
	Colour	Red
	Nos. of LEDs	6pcs
Operation	Operation	After dark, LEDs start emitting automatically
	Emitting times / minute	85times +/- 10 / minute

